

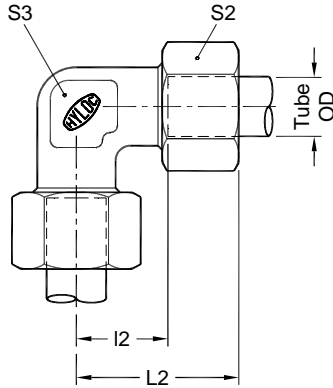
Equal Elbow Couplings

W

Dimensions in mm

DIN Fittings

Metric Tube end as per ISO 8434



*

Part No.	Series	Tube od	I 2	L2	S2	S3	
W06PL	Light L	6	12.0	27.5	14	12	
W08PL	250 bar	8	14.0	29.0	17	12	
W10PL		10	15.0	30.5	19	14	
W12PL		12	17.0	32.0	22	17	
W15PL		15	21.0	37.0	27	22	
W18PL		160 bar	18	23.5	40.5	32	24
W22PL	22		27.5	44.5	36	27	
W28PL	100 bar		28	30.5	48.5	41	36
W35PL		35	34.5	57.5	50	41	
W42PL		42	40.0	63.5	60	50	
W06PS		Heavy S	6	16.0	31.5	17	12
W08PS	630 bar		8	17.0	32.0	19	14
W10PS		10	17.5	34.5	22	17	
W12PS		12	21.5	38.0	24	19	
W16PS		400 bar	16	24.5	43.5	30	24
W20PS			20	26.5	49.0	36	27
W25PS	25		30.0	55.0	46	36	
W30PS	250 bar	30	35.5	63.5	50	41	
W38PS		38	41.0	72.5	60	50	

* Dimensions given are approx figures with tightened nut.